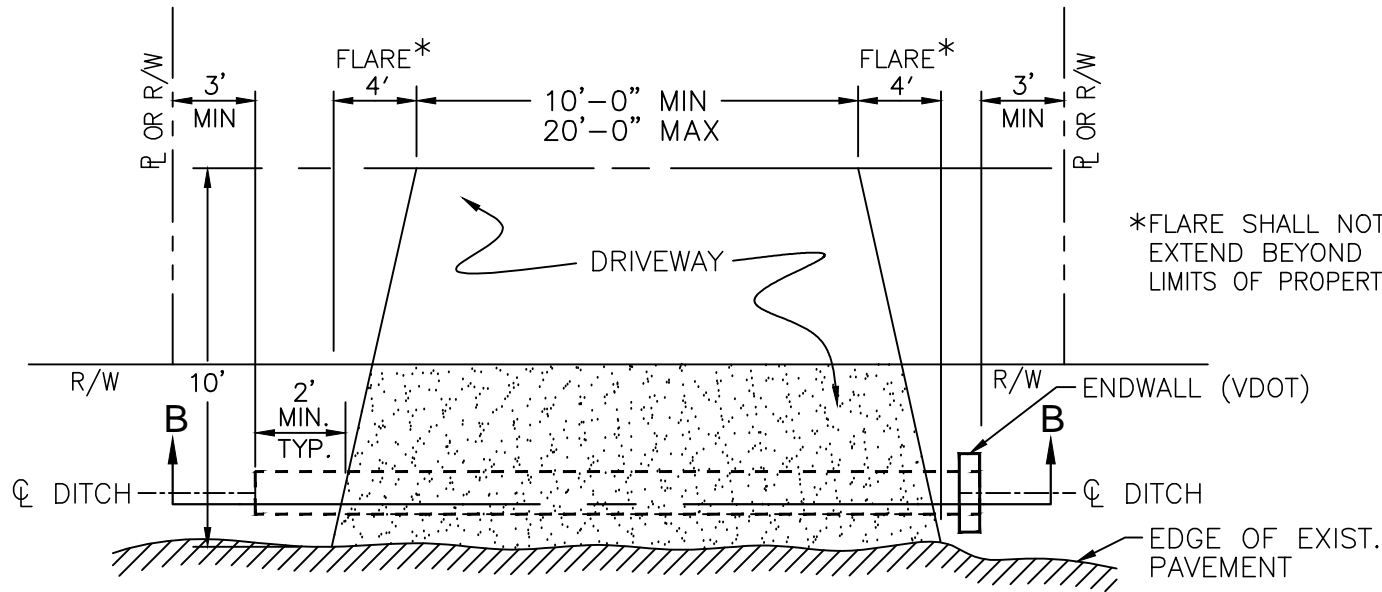


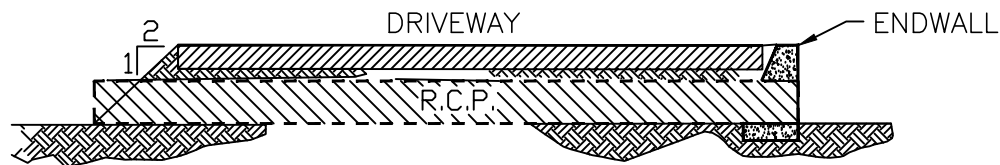
NOTES:

1. PIPE SIZE TO BE DETERMINED BY THE CITY, IF NO PLAN IS REQUIRED.
2. MINIMUM 24 L.F. R.C.P. CLASS III REQUIRED
3. DITCH TO BE CLEANED AND REGRADED
4. ALL JOINTS TO BE WRAPPED WITH NON-WOVEN FILTER FABRIC.
5. ALL STONE TO BE #21 CRUSHER RUN STONE DIV. 10.021 AS PER CURRENT VDOT ROAD AND BRIDGE SPECIFICATIONS
6. LOW HEAD ELLIPTICAL PIPE OF SAME AREA MAY BE USED

ROUND PIPE	ELLIPTICAL PIPE
18"	14" X 23"
24"	19" X 30"
27"	22" X 34"
30"	24" X 38"
36"	29" X 45"



*FLARE SHALL NOT EXTEND BEYOND LIMITS OF PROPERTY.

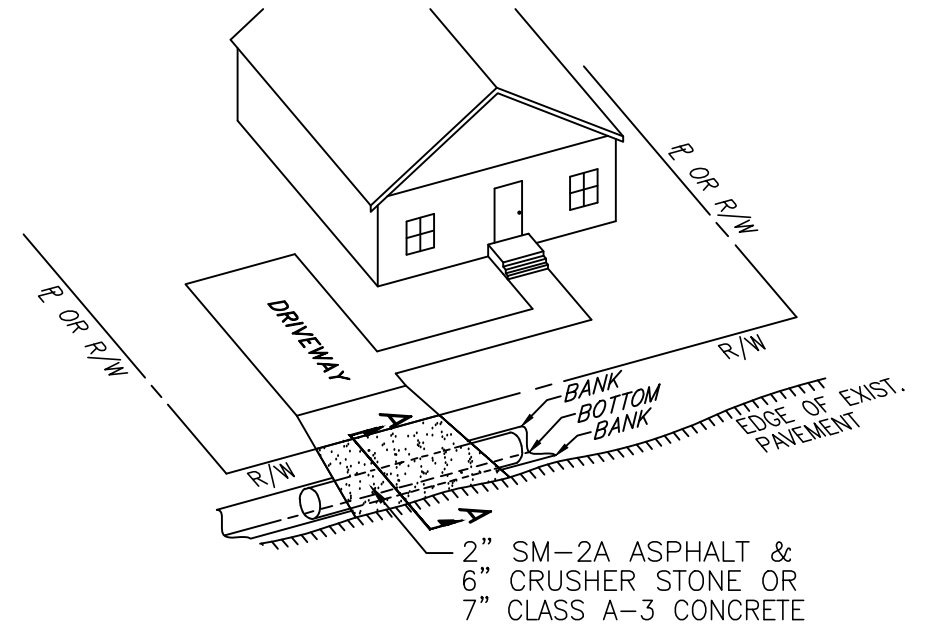


SECTION B-B

FOR USE ON STREETS HAVING
 ≥ 40 MPH SPEED LIMIT OR
 ≥ 10,000 V.P.D. TRAFFIC
 VOLUME.

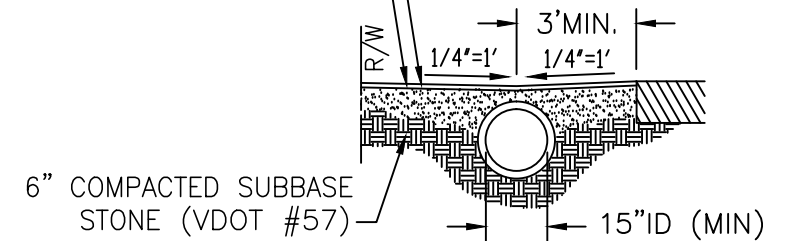
RESIDENTIAL ENTRANCE DETAIL

NOT TO SCALE



2" SM-2A ASPHALT &
 6" CRUSHER STONE OR
 7" CLASS A-3 CONCRETE

7" CLASS A-3
 CONCRETE OR:
 2" SM-2A ASPHALT OVER
 6" #21 CRUSHER RUN STONE



RESIDENTIAL STANDARD
 SECTION A-A



DESIGN AND CONSTRUCTION STANDARDS

**HIGH TRAFFIC VOLUME
 RESIDENTIAL ENTRANCE
 WITHOUT CURB & GUTTER**

09/20/18	STANDARD UPDATE	DR. BY:	DATE:
08/01/03	REV. FOR INTERNET 2003	CHK. BY:	DATE:
DATE	REVISIONS	APP. BY:	DATE:

CG-7C