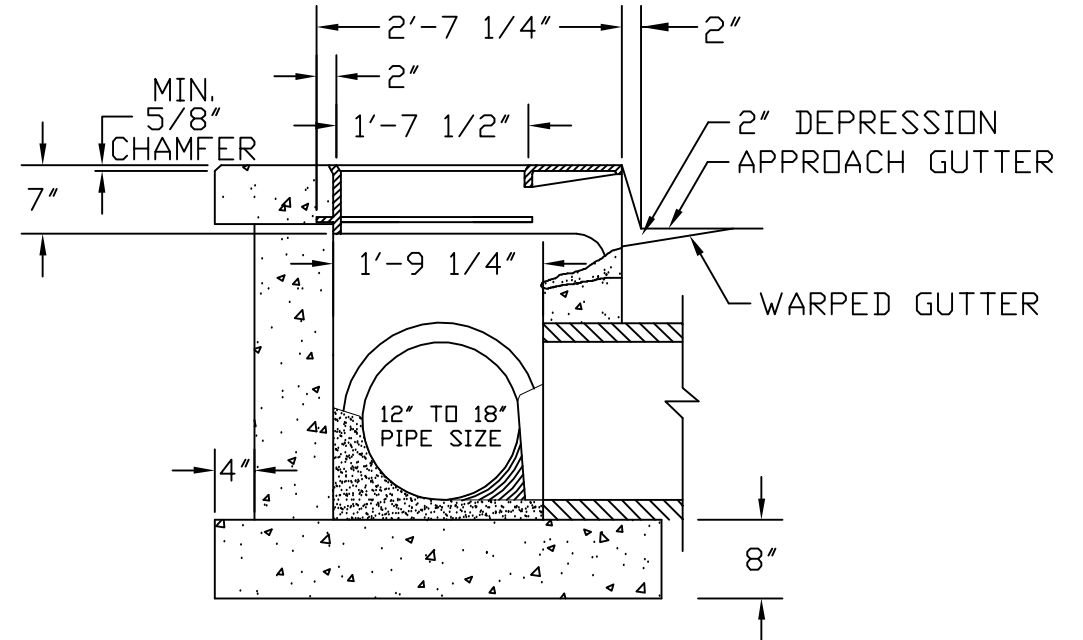
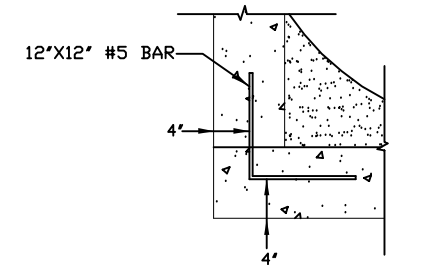
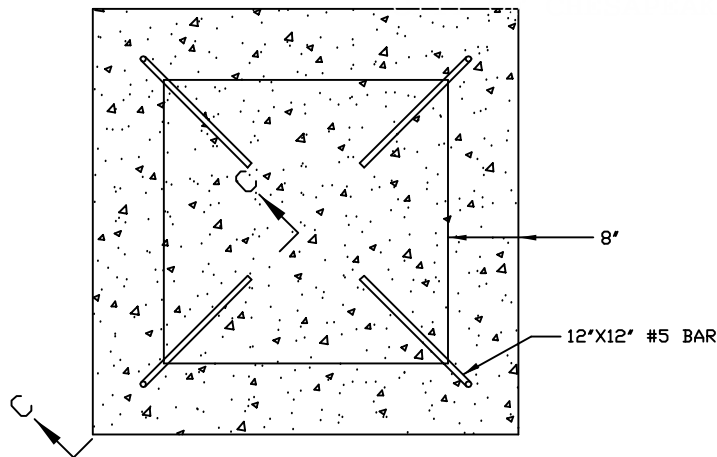


SECTION A-A



SECTION B-B



SECTION C-C

THE INVERT IS TO BE SHAPED IN ACCORDANCE WITH STANDARD PLAN IS-1. FURNISHING AND PLACING ALL MATERIALS INCIDENTAL TO THE SHAPING IS TO BE INCLUDED IN THE PRICE BID.

SHEET 2 OF 3

	DESIGN AND CONSTRUCTION STANDARDS	
	CATCH BASIN CONCRETE (12" -18" PIPE) MAX. DEPTH 6'	

08/01/03	REV. FOR INTERNET 2003	DR. BY:	DATE:	CB-1
DATE	REVISIONS	CHK. BY:	DATE:	
		APP. BY:	DATE:	

FILE G:\...ACADFILES\PFM\DRAINAGE\02\ CB-1

APPROVED FOR THE WEB _____

City Engineer

Date

Copywrite Digital Version City of Chesapeake 2003