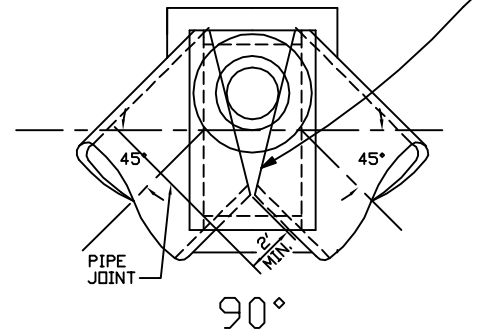
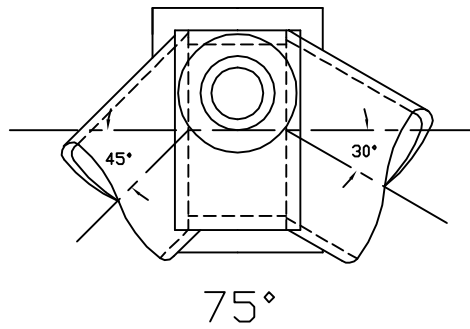
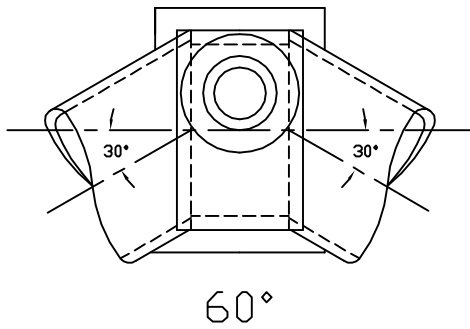
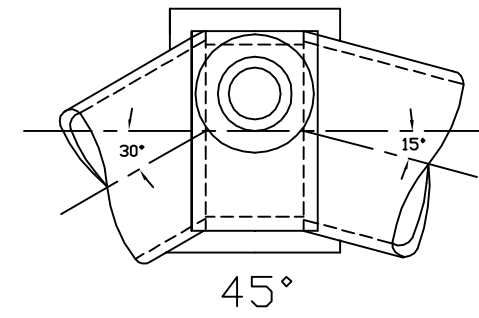
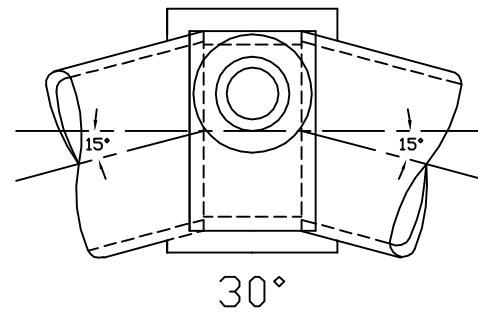
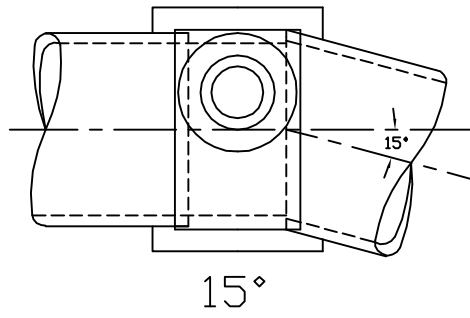
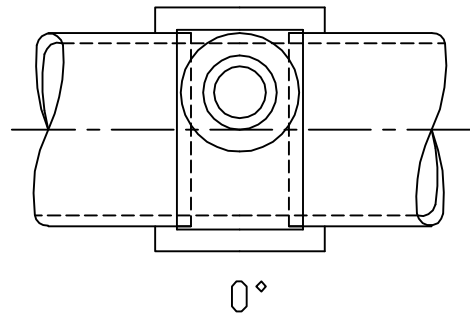


LOCATION OF CHAMBER TO FIT VARIOUS FLOW LINE ANGLES



**NOTE:**  
WHERE PIPES ENTER THE CHAMBER ON A SKEW, PIPE WALLS ARE TO BE EXTENDED, IF REQUIRED, INTO THE CHAMBER A SUFFICIENT DISTANCE TO MAINTAIN A MINIMUM UN-CUT LENGTH OF 2' IN A 6' PIPE SECTION.

DRAINAGE STRUCTURE FOUNDATION SLAB TO BE PLACED ON A BED OF AGGREGATE BASE STONE WHERE NECESSARY FOR STABILIZATION. STONE SHALL BE SIX INCHES (6") DEEP FOR 48" AND SMALLER PIPE, TWELVE INCHES (12") DEEP FOR LARGER THAN 48" PIPE.

QUANTITIES FOR CHAMBER \*

	PIPE SIZE	ANGLE OF TURN											
		0°			1°-30°			31°-60°			61°-90°		
		DIMENSION "D"	CU. YDS. CONC.	LBS. REINF. STEEL	DIMENSION "D"	CU. YDS. CONC.	LBS. REINF. STEEL	DIMENSION "D"	CU. YDS. CONC.	LBS. REINF. STEEL	DIMENSION "D"	CU. YDS. CONC.	LBS. REINF. STEEL
TYPE A *W=3'-0", *W=4'-0"	48"	4'-0"	3.973	1293	4'-2"	4.103	1317	4'-8"	4.507	1412	5'-8"	5.390	1602
	54"	4'-6"	4.495	1466	4'-8"	4.637	1441	5'-3"	5.135	1617	6'-5"	6.326	1798
	60"	5'-0"	5.040	1657	5'-3"	5.253	1794	5'-10"	5.795	1831	7'-1"	7.059	2064
	72"	6'-0"	6.762	2248	6'-3"	7.198	2306	7'-0"	7.824	2490	8'-6"	9.602	2843
TYPE B *W=3'-0", *W=4'-0"	48"	4'-0"	3.785	1149	4'-2"	3.915	1173	4'-8"	4.318	1274	5'-8"	5.203	1440
	54"	4'-6"	4.283	1308	4'-8"	4.418	1373	5'-3"	4.923	1452	6'-5"	6.489	1619
	60"	5'-0"	4.804	1487	5'-3"	5.024	1531	5'-10"	5.560	1651	7'-1"	6.820	1925
	72"	6'-0"	6.430	2020	6'-3"	6.866	2086	7'-0"	7.492	2264	8'-6"	9.265	2585
TYPE C *W=2'-0", *W=3'-0"	48"	4'-0"	3.054	1030	4'-2"	3.166	1052	4'-8"	3.515	1133	5'-8"	4.289	1294
	54"	4'-6"	3.473	1177	4'-8"	3.590	1236	5'-3"	4.032	1305	6'-5"	5.090	1454
	60"	5'-0"	3.953	1337	5'-3"	4.108	1381	5'-10"	4.580	1484	7'-1"	5.705	1710
	72"	6'-0"	5.334	1835	6'-3"	5.743	1885	7'-0"	6.287	2050	8'-6"	7.910	2355

QUANTITIES FOR TOWER \*\*

TYPE A	0.643 CU.YDS. CONCRETE 0.262 INCREMENT PER FOOT TO 10' DEPTH 0.362 INCREMENT PER FOOT OVER 10'
TYPE B	0.325 CU.YDS. CONCRETE 62 LBS. REINFORCING STEEL 0.259 INCREMENT PER FOOT
TYPE C	0.000 CU.YDS. CONCRETE 0.145 INCREMENT PER FOOT

\* QUANTITIES SHOWN ARE FOR CHAMBERS WITHOUT PIPES. PIPE DISPLACEMENT OF CONCRETE AND STEEL MUST BE DEDUCTED TO OBTAIN TRUE QUANTITIES.

\*\* QUANTITIES SHOWN ARE FOR MINIMUM TOWERS OF EACH TYPE. FOR TOWERS ABOVE MINIMUM HEIGHT, INCREMENTS SHOWN PER FOOT MUST BE ADDED.

STRUCTURAL STEEL

WHEN "W" IS 4'-0" = 50 LBS.  
WHEN "W" IS 3'-0" = 40 LBS.  
WHEN "W" IS 2'-0" = 30 LBS.

Sheet 3 of 4



DESIGN AND CONSTRUCTION STANDARDS

JUNCTION BOX CONCRETE  
(48" - 72" PIPE)

08/01/03	REV. FOR INTERNET 2003	DR. BY:	DATE:
DATE	REVISIONS	CHK. BY:	DATE:
		APP. BY:	DATE:

JB-1