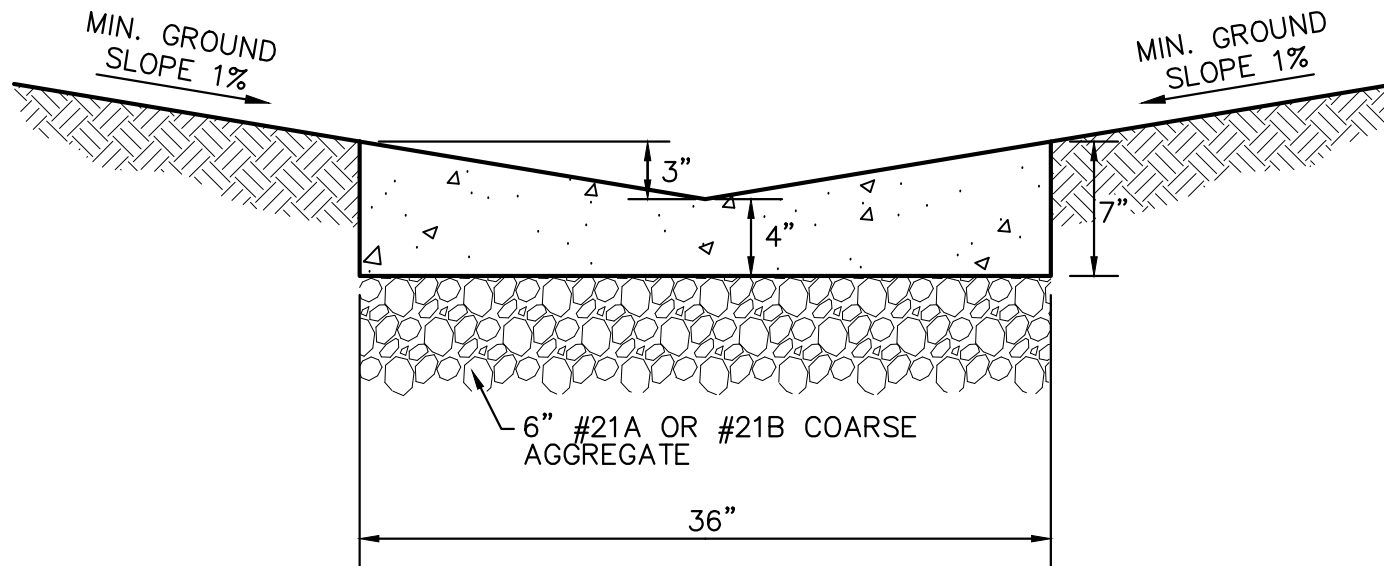


NOTES:

1. ALL CONCRETE TO BE 3,000 P.S.I. (28 DAY) AIR ENTRAINED.
2. CONCRETE IS TO BE CURED WITH ASSHTO APPROVED LIQUID MEMBRANE SEALANT.
3. REFER TO CURRENT VDOT ROAD & BRIDGE SPECIFICATIONS FOR CONCRETE POURING STANDARDS.
4. 1/2" PREMOLDED EXPANSION JOINT EVERY 50'-0".
5. CONSTRUCTION JOINT EVERY 10'-0".
6. MINIMUM HORIZONTAL GRADE 0.25%.
7. PARABOLIC OR VEE SHAPE IS ACCEPTABLE.

SMOOTH FLOAT FINISH
TRIANGULAR CROSS SECTION



		DESIGN AND CONSTRUCTION STANDARDS	
		PAVED DITCH FOR DRY PONDS	
1/14/19	STANDARD UPDATED	DRW.BY:	DATE: 1/2019
		CHK.BY:	DATE:
DATE	REVISIONS	APP.BY:	DATE:

PD-2

FILE G:\SHARED\ACADFILES\PFM II Working Files\PFMs [Revisions]...

APPROVED FOR THE WEB _____
City Engineer

_____/_____/_____
Date